

ProductView™ Lite

High-performance visual collaboration for Windchill®

Seamlessly integrated into PTC's Windchill solutions, ProductView Lite makes visual collaboration during the product lifecycle fast and easy for all.

Seamlessly integrated into PTC's Windchill solutions, ProductView Lite makes visual collaboration during the product lifecycle fast and easy for all.

ProductView Lite removes the barriers to effective distribution of digital product data by providing all users, across the extended enterprise, with simple access to 3D models, drawings, images and documents. With its compact, yet accurate 3D viewable format, complex information can be quickly accessed to reduce rework and improve decision-making.

Key Benefits

Improve Productivity and Communication

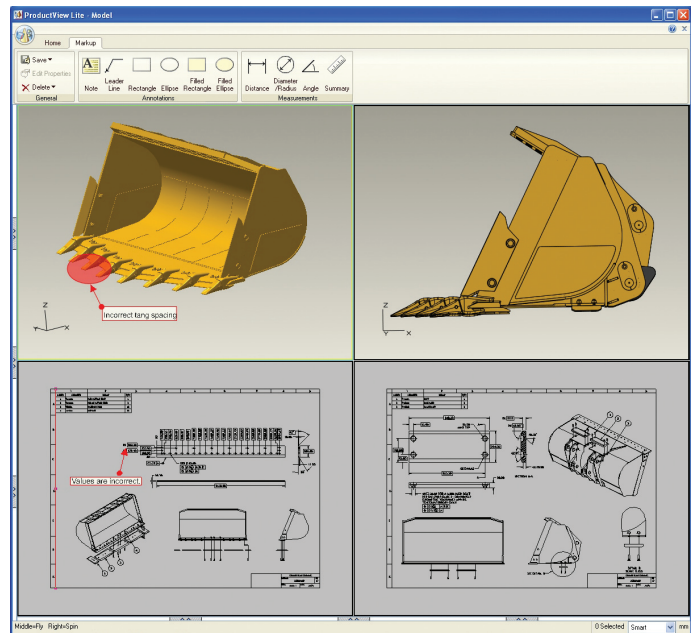
- Use the easy, intuitive user interface to view and interrogate heterogeneous MCAD models, drawings, documents and images in a common, consistent experience across the enterprise
- Eliminate data interoperability issues by using one visualization tool
- Work faster with an intuitive user interface

Improve Quality and Reduce Development Cost

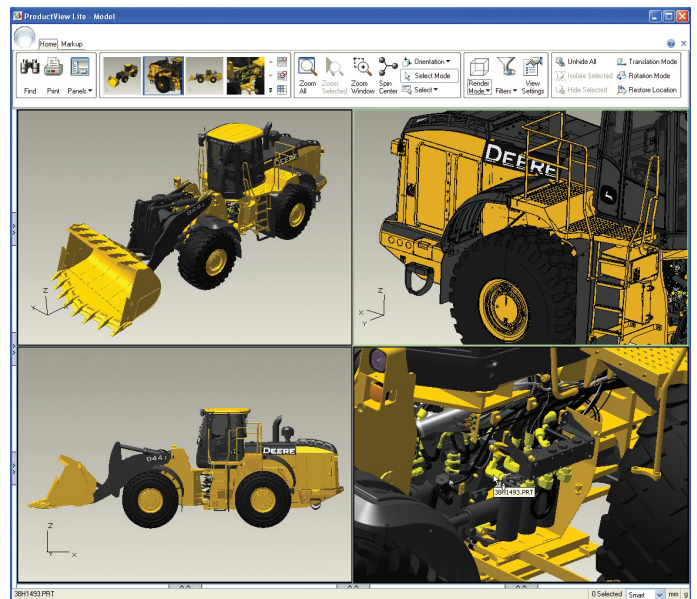
- Reduce the potential for rework through effective, collaborative markups of models and documents
- Replace error-prone and inefficient paper-based processes with web-based markup and distribution tools

Reduce Total Cost of Software Ownership

- Enable all product stakeholders to review and provide feedback on product designs without requiring access to applications that created the data
- Reduce IT overhead and maintenance with a single tool to view many types of detailed product data



View, measure and mark up models and drawings created from multiple CAD tools. Move parts and create Hidden Line Removal (HLR) views. Data courtesy of John Deere.



View and interrogate large models quickly and easily.

Features

Simple and Powerful Viewer

- Support a wide variety of 3D model and 2D drawing source formats, including CGM, HPGL, DXF, DWF and DWG
- Generate viewables as PDF files
- View and interrogate PMI – Product Manufacturing Information – including GD&T (Geometric Dimension & Tolerance) information and Pro/ENGINEER® 3D drawings
- Analyze visuals that incorporate related content, such as meta-data and annotations
- Accurately measure from B-REP geometry
- Increase user understanding using tooltips and simple searching

Effective Markup Tools

- Utilize a full set of markup tools for 3D models, 2D drawings, images and documents
- Manage multiple markups
- Distribute markups across the enterprise
- Check markups back into Windchill or any other PDM system and associate them with source file for reference

Integral with Windchill

- Fully integral with Windchill® PDMLink® and Windchill® ProjectLink™ for viewing of automatically managed viewable files
- Display 3D thumbnails to locate and verify content quickly and easily
- Embedded markup capabilities
- Optional PDF publishing, mark up and watermarking

Superior Scalability and Performance

- Rapidly load, and smoothly interact with, even the largest models
- Navigate through a model from directly within the PLM system using advanced, PTC-exclusive 3D thumbnail technology
- Render graphics faster – typically 10X faster than previous generations of ProductView
- Load larger models and reduce computer memory requirements through highly efficient memory usage

Platform Specifications

- Included with Windchill PDMLink and Windchill ProjectLink
- Operating Systems: Microsoft® Windows® (32-bit and 64-bit) XP® and Vista®
- Browser: Internet Explorer® v 6.0 and 7.0, Mozilla® Firefox® v2.0 and higher
- Languages: English, Chinese (Traditional), Chinese (Simplified), French, German, Italian, Japanese, Korean, Spanish

For the most up-to-date platform support information, please visit: www.ptc.com/partners/hardware/current/support.htm

NOTE: The timing of any product release, including any features or functionality, is subject to change at PTC's discretion.

Copyright © 2008, Parametric Technology Corporation (PTC). All rights reserved. Information described herein is furnished for informational use only, is subject to change without notice, and should not be construed as a guarantee, commitment, condition or offer by PTC. PTC, the PTC logotype, ProductView, Pro/ENGINEER, Windchill, Windchill ProjectLink, Windchill PDMLink and all PTC product names and logos are trademarks or registered trademarks of PTC and/or its subsidiaries in the United States and in other countries. All other product or company names are property of their respective owners. Image data courtesy of Deere & Company.